

XIANNI 35" Pendant

3-6054-xx

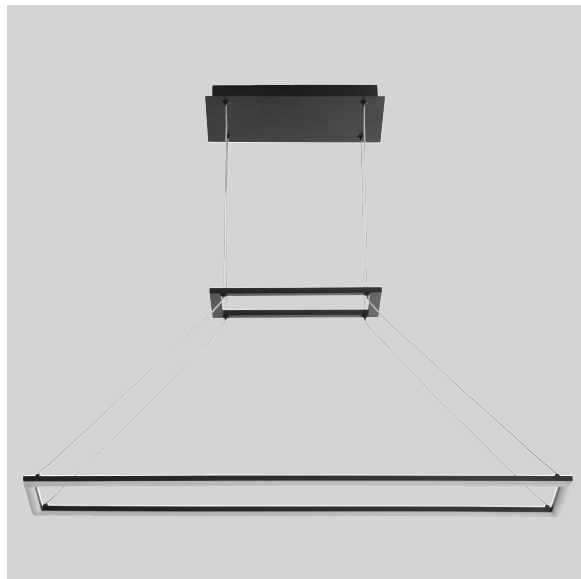
oxygen

FIXTURE TYPE _____

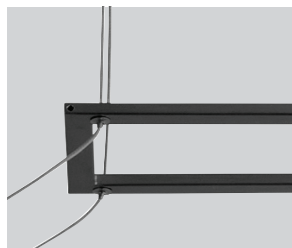
LOCATION _____

PROJECT _____

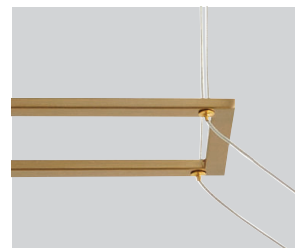
DATE _____



-15 Black

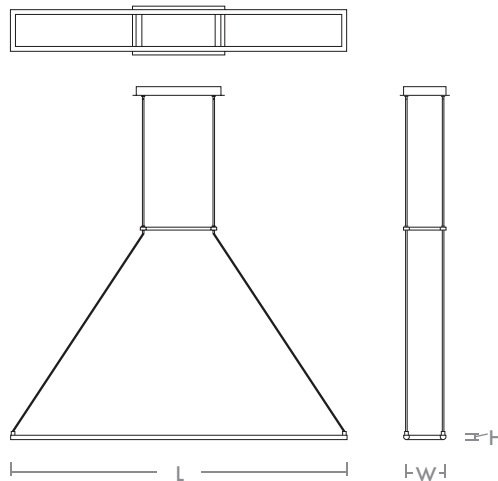


-15 Black



-40 AGB

LIGHT SOURCE	(1x) 27W LED Array, Selectable Color Temperature , CRI 90
LUMINAIRE POWER	TBD Input Power
RATED LIFE	50000 hr RL
COLOR TEMPERATURES	Selectable (CCT) 3000/3500/4000K
LUMEN OUTPUT	TBD
INPUT VOLTAGE	120V
DRIVER OUTPUT	TBD
DIMMING	TRIAC and ELV dimming at 120V AC
CONSTRUCTION	Cold Rolled Steel Housing
DIFFUSER	- Matte White Acrylic
FINISHES	-15 Black, -40 AGB
MOUNTING	4" Octagonal J-Box
STANDARDS	ETL Damp Listed, Conforms to UL STD 1598, Certified CAN/CSA STD C22.2 No 250.0.



DIMENSIONS

W: 6"
L: 35"
H: 0.375"
OAH: Adjustable

Order example for standard fixture:
3-6054-15 (x-xxx: LED Sequence # / -xx: Finish)

